



CHO HELICAL-HYPOID GEAR UNITS



CHO helical hypoid gear units have been conceived to be used instead of worm gearboxes where high efficiency is requested, especially with high ratios, they are interchangeable and guarantee low exercise temperature.

They can be connected, through a coupling to standard motors, brake motors and explosion-proof motors.

This kind of gearboxes are widely used where energy saving is requested and with electric motors driven by inverters.

PRODUCT FEATURES

- High efficiency
- Low noise
- Low temperature
- Universal mounting
- Aluminum housing, grey RAL 9022 painted

CHO gearboxes are manufactured in 4 sizes.

Power 0.12-4KW

Ratio 7,5-300

Torque max 130-500 Nm.



GENERAL INFORMATION

POWER P

$$P_1 \cdot \eta = P_2$$

P_1 = Input power

P_2 = Output power

η = Transmission efficiency

ROTATION SPEED n

n_1 = Input speed

n_2 = Output speed

An output speed ≤ 1400 rpm is suggested so as to optimize the working condition and extend the service life.

Input speed higher are allowed following the table below.

n. RPM	POWER
--------	-------

1400

Kw

2000

Kw * 1,35

2800

Kw * 1,8

TRANSMISSION RATIO i

$$i = \frac{n_1}{n_2}$$

TORQUE M

$$M_2 = \frac{9550 \cdot P_1 \cdot \eta}{n_2} \text{ [Nm]}$$

$$M_2 \geq M_{2n} \cdot f_s \text{ [Nm]}$$

M_2 = Output torque

M_{2n} = Rated output torque

P_1 = Input power

η = Transmission efficiency

f_s = Service factor



RADIAL LOADS F_R

The radial loads is proportional to the requested torque and inversely proportional to the transmission member diameter following this formula.

$$F_R = \frac{2000 \cdot T \cdot T.e.f.}{D} \left[N \right]$$

F_R = Radial load
 T = Nm (Torque)
 $T.e.f.$ = Transmission element factor
 $T.e.f.$ = 1,15 gear
 = 1,4 chain sprocket
 = 1,75 v-pulley
 = 2,5 flat-pulley
 D = Transmission element diameter

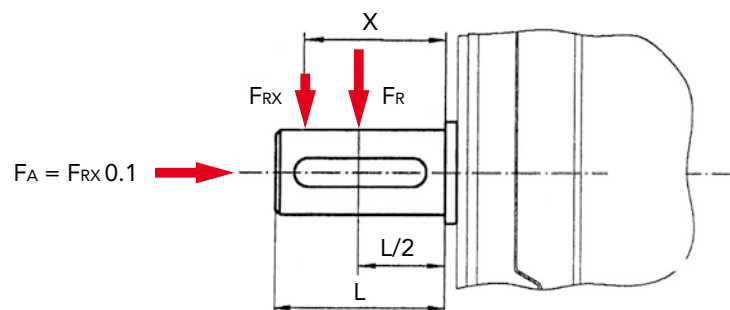
When the radial loads is not applied on the centre line of the shaft it is necessary to use the following formula.

$$F_{Rx} \leq \frac{F_R \cdot a}{(b+x)} \left[N \right]$$

F_R = Radial load on the centre line
 a, b, x = See table



OUTPUT SHAFT RADIAL LOADS & AXIAL LOADS F_R, F_A



	CHO 52	CHO 53	CHO 62	CHO 63	CHO 72	CHO 73	CHO 82	CHO 83
a	104	104	128	128	135	135	148.5	148.5
b	78	70	98	98	105	105	118.5	118.5

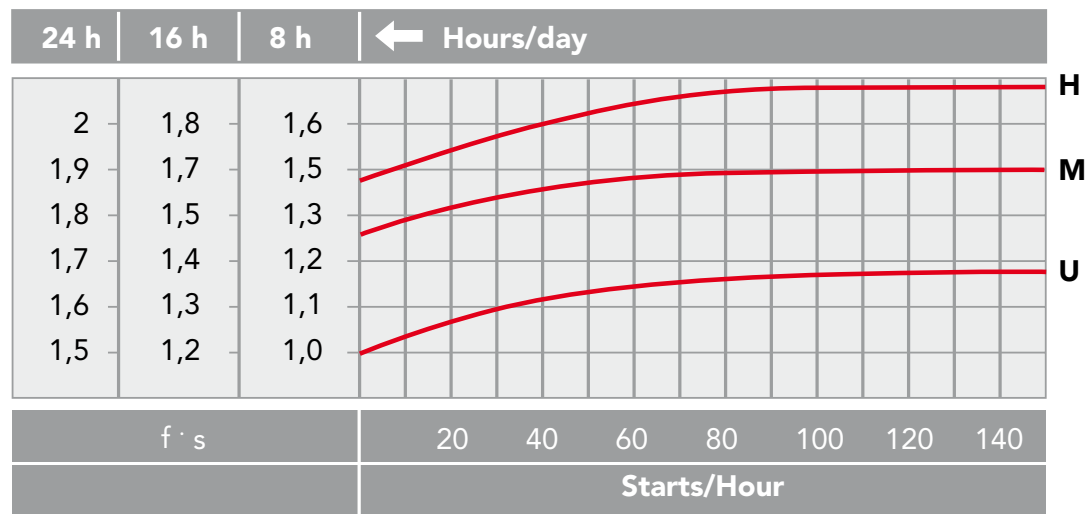


SERVICE FACTOR F_s

The service factor mainly depends on three parameters:

- type to load: U - M - H
- run time: h/day
- start-up frequency: na/h

U = uniform
M = moderate
H = heavy
na/h = starts/hour



4

LOAD TYPE - APPLICATION

- U** Conveyor belts for light weights - centrifugal pumps - lifts - bottling machines
- M** Conveyor belts for heavy weights - packing machines - wood working machines - gear pumps
- H** Mixers - bucket elevators - tooling machines - machinery for bricks - vibrators



V6/B8 MOUNTING POSITION

When the worm gearboxes mounting position is V6 or B8, with continuous work or input speed >1400 p.p.m, it is necessary to call our technical service.

2D and 3D drawings available on the web site www.chiaravalli.com
 Quantity, availability and prices with Chiaravalli B2B



TYPES OF LUBRICATION

		ISO	SHELL	MOBIL	BP	Lubrication type
CHO	standard -10 +40	VG 220	Shell Omala 220	Mobilgear 630	BP Energol GR-XP 220	Mineral Oil
	-20 +25	VG 150 VG 100	Shell Omala 100	Mobilgear 627	BP Energol GR-XP 100	
	-30 +10	VG 68-46 VG 32	Shell Tellus T 32	Mobil D.T.E. 13M		
	-40 -20	VG 22 VG 15	Shell Tellus T 15	Mobil D.T.E. 11M	BP Energol HLP-HM 15	
	-40 +80	VG 220	Shell Omala HD 150	Mobil SHC 630		Syntetic oil
	-40 +40	VG 150		Mobil SHC 629		
	-40 +10	VG 32		Mobil SHC 624		

LUBRICANT FILL QUANTITY

The specified fill quantities are recommended values. The precise values vary depending on the number of stages and gear ratio. The following tables show guide values for lubricant fill quantities in relation to the mounting position (B3, B6, B7...)

92

size	fill quantity in liters					
	B3	B6	B7	B8	V5	V6
CHO 52	0.22	0.20	0.13	0.15	0.25	0.14
CHO 53	0.07	0.04	0.04	0.05	0.08	0.09
CHO 62	0.38	0.35	0.25	0.26	0.44	0.25
CHO 63	0.07	0.04	0.04	0.05	0.08	0.09
CHO 72	0.66	0.60	0.45	0.48	0.78	0.47
CHO 73	0.13	0.09	0.09	0.09	0.15	0.17
CHO 82	1.15	0.93	0.70	0.74	1.25	0.75
CHO 83	0.13	0.09	0.09	0.09	0.15	0.17

CHO gearboxes are supplied complete with mineral oil for mounting position B3. The pre-stage used for third stage is lubricated with syntetic oil and it does not need the breather plug.

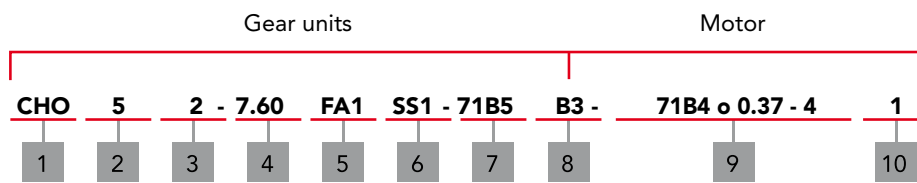


MAINTENANCE

- 1 For gear units, first oil change should be after about 300 hour (run-in period). Never mix the synthetic oil and mineral oil together.
- 2 Every 3000 working time, at least every 6 months, you have to check the oil and oil level, the seals visually for leakage. For IEC input gear units, the elastomer should be tested or replaced if necessary.
- 3 Depending on the operating conditions every 3 years at the latest for inspection is needed. Then change the mineral oil and replace the bearing grease.
- 4 Depending on the operating conditions, change the oil seals.
- 5 Verify that the coupling used to connect the motor is always greased to avoid risks of wear.



DESIGNATION



No	Comments
1	Code for gear units series CHO
2	Sizes of gear units 5-6-7-8
3	2 means 2 stages 3 means 3 stages
4	Speed ratio of reducer $i=$
5	1) no mark means without output flange 2) FA, FB, FC, FD, FE (1/2) : output flange and position
6	1) no mark means hole output 2) SS(1/2) : single output shaft and position 3) DS : double output shaft
7	Inout flange code (63B5, 71B5 ...)
8	Installation position code
9	1) no mark means without motor 2) model motors (poles of power)
10	Position diagram for motor terminal box

Order example

CHO 82 15.09 - FA1 - 71B5 - 71C4/3



RATIO AND IEC MOTOR ADAPTERS

CHO 52/53 n₁ = 1400 r/min								130Nm			
i nominal	i actual	n ₂ [r/min]	M _{2n} [Nm]	P1=Kw	M1	F.S.	F _{r2} [N]	63B5	71B5 71B14	80B5 80B14	90B5 90B14

3 stages

CHO 53

300	291.79	4.8	110	0.12	183	0.60	4100				
250	244.29	5.8	130	0.12	173	0.75	4100				
200	200.44	7.0	130	0.12	137	0.95	4100				
150	146.67	9.6	130	0.18	151	0.86	4000				
125	120.34	12	130	0.18	124	1.05	3770				
100	101.04	14	130	0.25	144	0.90	3560				
75	74.62	19	130	0.37	159	0.82	3220				

2 stages

CHO 52

60	58.36	24	110	0.37	133	0.83	2960				
50	48.86	29	130	0.37	110	1.18	2790				
40	40.09	35	130	0.55	130	1.00	2610				
30	29.33	48	130	0.75	137	0.95	2350				
25	24.07	59	130	0.75	110	1.18	2200				
20	20.21	70	130	1.10	130	1.00	2080				
15	14.92	94	130	1.50	137	0.95	1880				
12.5	12.47	113	120	1.50	114	1.05	1770				
10	10.47	134	110	1.50	96	1.15	1670				
7.5	7.73	182	100	1.50	70	1.42	1510				

CHO 62/63 n₁ = 1400 r/min								200Nm			
i nominal	i actual	n ₂ [r/min]	M _{2n} [Nm]	P1=Kw	M1	F.S.	F _{r2} [N]	63B5	71B5 71B14	80B5 80B14	90B5 90B14

3 stages

CHO 63

300	302.50	4.7	170	0.12	210	0.81	4800				
250	243.57	5.8	200	0.18	250	0.80	4800				
200	196.43	7.2	200	0.25	286	0.70	4800				
150	151.56	9.3	200	0.25	222	0.90	4650				
125	122.22	12	200	0.37	263	0.76	4330				
100	101.27	14	200	0.37	215	0.93	4070				
75	73.33	20	200	0.55	233	0.86	3650				

2 stages

CHO 62

60	60.50	24	170	0.55	205	0.83	3430				
50	48.71	29	200	0.75	217	0.92	3190				
40	39.29	36	200	0.75	180	1.11	2970				
30	30.31	47	200	1.10	200	1.00	2720				
25	24.44	58	200	1.50	217	0.92	2530				
20	20.25	70	200	1.50	180	1.11	2380				
15	14.67	96	200	1.50	135	1.48	2130				
12.5	12.67	111	180	1.50	118	1.53	2030				
10	10.50	134	170	1.50	94	1.80	1910				
7.5	7.60	185	160	1.50	68	2.35	1710				

2D and 3D drawings available on the web site www.chiaravalli.com

Quantity, availability and prices with Chiaravalli B2B



RATIO AND IEC MOTOR ADAPTERS

CHO 72/73		n ₁ = 1400 r/min							350Nm				
i nominal	i actual	n ₂ [r/min]	M _{2n} [Nm]	P1=Kw	M1	F.S.	F _{r2} [N]	63B5	71B5	80B5 80B14	90B5 90B14	100B5 100B14	112B5 112B14

CHO 73

3 stages

300	297.21	4.8	350	0.25	432	0.81	6500						
250	240.89	5.9	350	0.25	350	1.00	6500						
200	200.66	7.0	350	0.25	291	1.19	6500						
150	151.20	9.3	350	0.37	324	1.08	6500						
125	125.95	12	350	0.55	398	0.88	5980						
100	99.22	15	350	0.55	314	1.11	5520						
75	75.45	19	350	0.75	318	1.10	5040						

CHO 72

2 stages

60	59.44	24	350	1.10	394	0.88	4660						
50	48.18	30	350	1.10	324	1.08	4340						
40	40.13	35	350	1.50	350	1.00	4080						
30	30.24	47	350	1.50	269	1.30	3720						
25	25.19	56	350	2.20	318	1.10	3500						
20	19.84	71	350	2.20	269	1.30	3230						
15	15.09	93	350	3.00	269	1.30	2950						
12.5	12.49	113	330	4.00	311	1.06	2770						
10	9.84	143	320	4.00	244	1.31	2550						
7.5	7.48	188	310	4.00	186	1.67	2330						

CHO 82/83		n ₁ = 1400 r/min							500Nm				
i nominal	i actual	n ₂ [r/min]	M _{2n} [Nm]	P1=Kw	M1	F.S.	F _{r2} [N]	63B5	71B5	80B5 80B14	90B5 90B14	100B5 100B14	112B5 112B14

CHO 83

3 stages

300	295.18	4.8	460	0.25	425	1.08	8300						
250	240.89	5.9	500	0.37	500	1.00	8300						
200	200.66	7.0	500	0.37	433	1.15	8300						
150	151.20	9.3	500	0.55	481	1.04	8050						
125	125.95	12	500	0.75	532	0.94	7580						
100	99.22	15	500	0.75	417	1.20	7000						
75	75.45	19	500	1.10	481	1.04	6390						

CHO 82

2 stages

60	59.04	24	460	1.50	489	0.94	5890						
50	48.17	30	500	1.50	435	1.15	5500						
40	40.13	35	500	2.20	543	0.92	5170						
30	30.24	47	500	2.20	407	1.23	4710						
25	25.19	56	500	3.00	450	1.11	4430						
20	19.84	71	500	4.00	500	1.00	4090						
15	15.09	93	500	4.00	373	1.34	3730						
12.5	12.49	113	480	4.00	310	1.55	3510						
10	9.84	143	460	4.00	243	1.89	3240						
7.5	7.48	188	440	4.00	186	2.37	2950						



GEAR UNIT SELECTION TABLES

P_{1n} [Kw]	n_2 [r/min]	M_{2n} [Nm]	i nominal	i actual	F_{r2} [N]	f_s				
0.12	5.7	184	250	244.29	4100	0.7	CHO53	63B5	63A4	
	7.0	151	200	200.44	4100	0.9				
	9.5	110	150	146.67	4000	1.2				
	11.6	91	125	120.34	3770	1.4				
	13.9	76	100	101.04	3560	1.7				
	18.8	56	75	74.62	3220	2.3				
	24.0	45	60	58.36	2960	2.4	CHO52	63B5	63A4	
	28.7	38	50	48.86	2790	3.5				
	35	31	40	40.09	2610	4.2				
	48	23	30	29.33	2350	5.8				
	58	18.5	25	24.07	2200	7.0				
	69	15.6	20	20.21	2080	8.4				
	94	11.5	15	14.92	1880	11.3				
	112	9.6	12.5	12.47	1770	13.5				
	134	8.1	10	10.47	1670	16.1				
181	5.9	7.5	7.73	1510	16.8					
	5.7	183	250	243.57	4800	1.1	CHO63	63B5	63A4	
	7.1	148	200	196.43	4800	1.4				
	9.2	114	150	151.56	4650	1.8				
	11.5	92	125	122.22	4330	2.2				
	13.8	76	100	101.27	4070	2.6				
	19.1	55	75	73.33	3650	2.9				
	4.7	224	300	297.21	6500	1.6	CHO73	63B5	63A4	
	5.8	181	250	240.89	6500	1.9				
	7.0	151	200	200.66	6500	2.3				
	4.7	222	300	295.18	8300	2.1	CHO83	63B5	63A4	
	5.8	181	250	240.89	8300	2.8				
	0.18	48	34	60	58.36	2350	3.3	CHO52	63B5	63A2
		57	28	50	48.86	2220	4.6			
		70	23	40	40.09	2070	5.6			
		95	16.9	30	29.33	1870	7.7			
116		13.9	25	24.07	1750	9.4				
11.6		136	125	120.34	3770	1.0	CHO53	63B5	63B4	
13.9		114	100	101.04	3560	1.1				
18.8		84	75	74.62	3220	1.5				
24		67	60	58.36	2960	1.6	CHO52	63B5	63B4	
28.7		56	50	48.86	2790	2.3				
35		46	40	40.09	2610	2.8				
48		34	30	29.33	2350	3.8				
58		28	25	24.07	2200	4.7				
69		23	20	20.21	2080	5.6				
94		17.2	15	14.92	1880	7.5				
112	14.4	12.5	12.47	1770	9.0					
134	12.1	10	10.47	1670	10.8					
181	8.9	7.5	7.73	1510	11.2					



GEAR UNIT SELECTION TABLES

P_{1n}	n_2	M_{2n}	i	i	F_{r2}	f_s			
[Kw]	[r/min]	[Nm]	nominal	actual	[N]				
0.18	15.4	105	60	58.36	3430	1.0	CHO52	71B5/B14	71A6
	18.4	88	50	48.86	3240	1.5			
	22.4	72	40	40.09	3030	1.8			
	31	53	30	29.33	2730	2.5			
	37	43	25	24.07	2550	3.0			
	7.1	222	200	196.43	4800	0.9	CHO63	63B5	63B4
	9.2	171	150	151.56	4650	1.2			
	11.5	138	125	122.22	4330	1.4			
	13.8	114	100	101.27	4070	1.7			
	19.1	83	75	73.33	3650	1.9			
	23.1	70	60	60.50	3430	2.4	CHO62	63B5	63B4
	28.7	56	50	48.71	3190	3.6			
	7.4	215	125	122.22	4800	0.9	CHO63	71B5/B14	71A6
	8.9	178	100	101.27	4720	1.1			
	12.3	129	75	73.33	4230	1.2			
	14.9	109	60	60.50	3970	1.6	CHO62	71B5/B14	71A6
	18.5	87	50	48.71	3690	2.3			
	22.9	71	40	38.29	3440	2.8			
	4.7	336	300	297.21	6500	1.0	CHO73	63B5	63B4
	5.8	272	250	240.89	6500	1.3			
7.0	227	200	200.66	6500	1.5				
9.3	171	150	151.20	6500	2.0				
11.1	142	125	125.95	5980	2.5				
14.1	112	100	99.22	5520	3.1				
4.5	353	200	200.66	6500	1.0	CHO73	71B5	71A6	
6.0	266	150	151.20	6500	1.3				
7.1	221	125	125.95	6500	1.6				
9.1	174	100	99.22	6400	2.0				
11.9	133	75	75.45	5840	2.6				
4.7	333	300	295.18	8300	1.4	CHO83	63B5	63B4	
5.8	272	250	240.89	8300	1.8				
7.0	227	200	200.66	8300	2.2				
9.3	171	150	151.20	8050	2.9				
3.7	423	250	240.89	8300	1.2	CHO83	71B5	71A6	
4.5	353	200	200.66	8300	1.4				
6.0	266	150	151.20	8300	1.9				
7.1	221	125	125.95	8300	2.3				
9.1	174	100	99.22	8110	2.9				
0.25	19.1	115	150	146.67	3200	1.1	CHO53	63B5	63B2
	23.3	94	125	120.34	2990	1.4			
	27.7	79	100	101.04	2820	1.6			
	38	59	75	74.62	2550	2.2			
	48	47	60	58.36	2350	2.4	CHO52	63B5	63B2
	57	39	50	48.86	2220	3.3			
	70	32	40	40.09	2070	4.0			



GEAR UNIT SELECTION TABLES

P_{1n} [Kw]	n_2 [r/min]	M_{2n} [Nm]	i nominal	i actual	F_{r2} [N]	f_s			
0.25	24	94	60	58.36	2960	1.2	CHO52	71B5/B14	71A4
	28.7	78	50	48.86	2790	1.7			
	35	64	40	40.09	2610	2.0			
	48	47	30	29.33	2350	2.8			
	58	39	25	24.07	2200	3.4			
	69	32	20	20.21	2080	4.0			
	94	24	15	14.92	1880	5.4			
	18.4	122	50	48.86	3240	1.1	CHO52	71B5/B14	71B6
	22.4	100	40	40.09	3030	1.3			
	31	73	30	29.33	2730	1.8			
	37	60	25	24.07	2550	2.2			
	45	50	20	20.21	2410	2.6			
	60	37	15	14.92	2180	3.5			
	72	31	12.5	12.47	2050	4.2			
	86	26	10	10.47	1930	5.0			
	116	19	7.5	7.73	1750	5.2			
	11.5	191	250	243.57	4330	1.0	CHO63	63B5	63B2
	14.3	154	200	196.43	4030	1.3			
	18.5	119	150	151.56	3690	1.7			
	22.9	96	125	122.22	3440	2.1			
	27.6	78	100	101.27	3230	2.5			
	38	58	75	73.33	2900	2.8			
	11.5	192	125	122.22	4330	1.0	CHO63	71B5/B14	71A4
	13.8	159	100	101.27	4070	1.3			
	19.1	115	75	73.33	3650	1.4			
	23.1	97	60	60.50	3430	1.8	CHO62	71B5/B14	71A4
	28.7	78	50	48.71	3190	2.6			
	36	63	40	39.29	2970	3.2			
	46	49	30	30.31	2720	4.1			
	14.9	151	60	60.50	3970	1.1	CHO62	71B5/B14	71B6
	18.5	121	50	48.71	3690	1.6			
	22.9	98	40	39.29	3440	2.0			
	29.7	76	30	30.31	3150	2.6			
	9.4	233	300	297.21	6320	1.5	CHO73	63B5	63B2
	11.6	189	250	240.89	5890	1.9			
	14	157	200	200.66	5540	2.2			
	18.5	119	150	151.20	5040	3.0			
	5.8	378	250	240.89	6500	0.9	CHO73	71B5	71A4
	7.0	315	200	200.66	6500	1.1			
	9.3	237	150	151.20	6500	1.5			
	11.1	198	125	125.95	5980	1.8			
	14.1	156	100	99.22	5520	2.2			
	18.6	118	75	75.45	5040	3.0			
	6	369	150	151.20	6500	0.9	CHO73	71B5	71B6
	7.1	307	125	125.95	6500	1.1			

2D and 3D drawings available on the web site www.chiaravalli.com
Quantity, availability and prices with Chiaravalli B2B



GEAR UNIT SELECTION TABLES

P_{1n} [Kw]	n_2 [r/min]	M_{2n} [Nm]	i nominal	i actual	F_{r2} [N]	f_s			
0.25	9.1	242	100	99.22	6400	1.4	CHO73	71B5	71B6
	11.9	184	75	75.45	5840	1.9			
	15.1	148	60	59.44	5390	2.4	CHO72	71B5	71B6
	18.7	120	50	48.18	5030	2.9			
	22.4	100	40	40.13	4730	3.5			
	4.7	463	300	295.18	8300	1.0	CHO83	71B5	71A4
	5.8	378	250	240.89	8300	1.3			
	7.0	315	200	200.66	8300	1.6			
	9.3	237	150	151.20	8050	2.1			
	11.1	198	125	125.95	7580	2.5			
	4.5	490	200	200.66	8300	1.0	CHO83	71B5	71B6
	6.0	369	150	151.20	8300	1.4			
	7.1	307	125	125.95	8300	1.6			
	9.1	242	100	99.22	8110	2.1			
11.9	184	75	75.45	7400	2.7				
0.37	23.3	140	125	120.34	2990	0.9	CHO53	71B5/B14	71A2
	27.7	117	100	101.04	2820	1.1			
	38	87	75	74.62	2550	1.5			
	48	69	60	58.36	2350	1.6	CHO52	71B5/B14	71A2
	57	58	50	48.86	2220	2.2			
	70	48	40	40.09	2070	2.7			
	95	35	30	29.33	1870	3.7			
	28.7	116	50	48.86	2790	1.1	CHO52	71B5/B14	71B4
	35	95	40	40.09	2610	1.4			
	48	70	30	29.33	2350	1.6			
	58	57	25	24.07	2200	2.3			
	69	48	20	20.21	2080	2.7			
	94	35	15	14.90	1880	3.7			
	112	30	12.5	12.47	1770	4.4			
	134	25	10	10.47	1670	5.2			
	181	18	7.5	7.73	1510	5.5			
	31	108	30	29.33	2730	1.2	CHO52	80B5/B14	80A6
	37	89	25	24.07	2550	1.5			
	45	75	20	20.21	2410	1.7			
	60	55	15	14.92	2180	2.4			
	72	46	12.5	12.47	2050	2.8			
	86	39	10	10.47	1930	3.4			
	116	29	7.5	7.73	1750	3.5			
	14.3	228	200	196.43	4030	0.9	CHO63	71B5/B14	71A2
	18.5	176	150	151.56	3690	1.1			
	22.9	142	125	122.22	3440	1.4			
	27.6	118	100	101.27	3230	1.7			
	46	72	60	60.50	2720	2.4	CHO62	71B5/B14	71A2
57	58	50	48.71	2530	3.5				
71	47	40	39.29	2350	4.3				



GEAR UNIT SELECTION TABLES

P_{1n} [Kw]	n_2 [r/min]	M_{2n} [Nm]	i nominal	i actual	F_{r2} [N]	f_s			
0.37	13.8	235	100	101.27	4070	0.9	CHO63	71B5/B14	71B4
	19.1	170	75	73.33	3650	0.9			
	23.1	144	60	60.50	3430	1.2	CHO62	71B5/B14	71B4
	28.7	116	50	48.71	3190	1.7			
	36	93	40	39.29	2970	2.1			
	46	72	30	30.31	2720	2.8			
	57	58	25	24.44	2530	3.4			
	69	48	20	20.25	2380	4.2			
	18.5	180	50	48.71	3690	1.1	CHO62	80B5/B14	80A6
	22.9	145	40	39.29	3440	1.4			
	29.7	112	30	30.31	3150	1.8			
	37	90	25	24.44	2930	2.2			
	44	75	20	20.25	2760	2.7			
	61	54	15	14.67	2470	3.5			
	71	47	12.5	12.67	2360	3.5			
	86	39	10	10.50	2210	3.5			
	118	28	7.5	7.60	1990	3.6			
	9.4	345	300	297.21	6320	1.0	CHO73	71B5	71A2
	11.6	280	250	240.89	5890	1.3			
	14	233	200	200.66	5540	1.5			
	18.5	176	150	151.20	5040	2.0			
	9.3	351	150	151.20	6500	1.0	CHO73	71B5	71B4
	11.1	292	125	125.95	5980	1.2			
	14.1	230	100	99.22	5520	1.5			
	18.6	175	75	75.45	5040	2.0			
	23.6	141	60	59.44	4660	2.5	CHO72	71B5	71B4
	29.1	114	50	48.18	4340	3.1			
	9.1	358	100	99.22	6400	1.0	CHO73	80B5/B14	80A6
	11.9	273	75	75.45	5840	1.3			
	15.1	219	60	59.44	5390	1.6	CHO72	80B5/B14	80A6
	18.7	178	50	48.18	5030	2.0			
	22.4	148	40	40.13	4730	2.4			
	29.8	112	30	30.24	4310	3.1			
	9.5	343	300	295.18	7990	1.3	CHO83	71B5	71A2
	11.6	280	250	240.89	7470	1.8			
	14.0	233	200	200.66	7030	2.1			
	18.5	176	150	151.20	6390	2.8			
	22.2	146	125	125.95	6010	3.4			
	5.8	559	250	240.89	8300	0.9	CHO83	71B5	71B4
	7.0	466	200	200.66	8300	1.1			
	9.3	351	150	151.20	8050	1.4			
	11.1	292	125	125.95	7580	1.7			
	14.1	230	100	99.22	7000	2.2			
	18.6	175	75	75.45	6390	2.9			
	22.4	145	60	62.43	6000	3.1			

2D and 3D drawings available on the web site www.chiaravalli.com
Quantity, availability and prices with Chiaravalli B2B



GEAR UNIT SELECTION TABLES

P_{1n} [Kw]	n_2 [r/min]	M_{2n} [Nm]	i nominal	i actual	F_{r2} [N]	f_s			
0.37	28.5	114	50	49.18	5540	3.1	CHO83	71B5	71B4
	6.0	546	150	151.20	8300	0.9	CHO83	80B5/B14	80A6
	7.1	455	125	125.95	8300	1.1			
	9.1	358	100	99.22	8110	1.4			
	11.9	273	75	75.45	7400	1.8			
	15.2	218	60	59.04	6820	2.1	CHO82	80B5/B14	80A6
18.7	178	50	48.18	6370	2.8				
0.55	70	71	40	40.09	2070	1.8	CHO52	71B5/B14	71B2
	95	52	30	29.33	1870	2.5			
	116	42	25	24.07	1750	3.1			
	139	36	20	20.21	1650	3.6			
	35	141	40	40.09	2610	0.9	CHO52	80B5/B14	80A4
	48	103	30	29.33	2350	1.3			
	58	85	25	24.07	2200	1.5			
	69	71	20	20.21	2080	1.8			
	94	53	15	14.92	1880	2.5			
	112	44	12.5	12.47	1770	3.0			
	134	37	10	10.47	1670	3.5			
	181	27	7.5	7.73	1510	3.7			
	22.9	211	125	122.22	3440	0.9	CHO63	71B5/B14	71B2
	27.6	175	100	101.27	3230	1.1			
	38	127	75	73.33	2900	1.3			
	46	107	60	60.50	2720	1.6	CHO62	71B5/B14	71B2
	57	86	50	48.71	2530	2.3			
	71	69	40	39.29	2350	2.9			
	92	53	30	30.31	2160	3.7			
	28.7	172	50	48.71	3190	1.2	CHO62	80B5/B14	80A4
	36	139	40	39.29	2970	1.4			
	46	107	30	30.31	2720	1.9			
	57	86	25	24.44	2530	2.3			
	69	71	20	20.25	2380	2.8			
	95	52	15	14.67	2130	3.7			
	110	45	12.5	12.67	2030	3.7			
	133	37	10	10.50	1910	3.6			
	184	27	7.5	7.60	1710	3.7			
	22.9	216	40	39.29	3440	0.9	CHO62	80B5/B14	80B6
	29.7	166	30	30.31	3150	1.2			
37	134	25	24.44	2930	1.5				
44	111	20	20.25	2760	1.8				
61	80	15	14.67	2470	2.4				
71	70	12.5	12.67	2360	2.4				
86	58	10	10.50	2210	2.3				
118	42	7.5	7.60	1990	2.4				
14	346	200	200.66	5540	1.0	CHO73	71B5	71B2	
18.5	261	150	151.20	5040	1.3				



GEAR UNIT SELECTION TABLES

P_{1n} [Kw]	n_2 [r/min]	M_{2n} [Nm]	i nominal	i actual	F_{r2} [N]	f_s			
0.55	22.2	217	125	125.95	4750	1.6	CHO73	71B5	71B2
	28.2	171	100	99.22	4380	2.0			
	37	130	75	75.45	4000	2.7			
	45	108	60	62.43	3750	3.2			
	57	85	50	49.18	3470	4.1			
	14.1	342	100	99.22	5520	1.0	CHO73	80B5/B14	80A4
	18.6	260	75	75.45	5040	1.3			
	23.6	210	60	59.44	4660	1.7	CHO72	80B5/B14	80A4
	29.1	170	50	48.18	4340	2.1			
	35	142	40	40.13	4080	2.5			
46	107	30	30.24	3720	3.3				
15.1	326	60	59.44	5390	1.1	CHO72	80B5/B14	80B6	
18.7	264	50	48.18	5030	1.3				
22.4	220	40	40.13	4730	1.6				
29.8	166	30	30.24	4310	2.1				
9.5	509	300	295.18	7990	0.9	CHO83	71B5	71B2	
11.6	416	250	240.89	7470	1.2				
14.0	346	200	200.66	7030	1.4				
18.5	261	150	151.20	6390	1.9				
22.2	217	125	125.95	6010	2.3				
9.3	522	150	151.20	8050	1.0	CHO83	80B5/B14	80A4	
11.1	435	125	125.95	7580	1.2				
14.1	342	100	99.22	7000	1.5				
18.6	260	75	75.45	6390	1.9				
23.7	208	60	59.04	5890	2.2	CHO82	80B5/B14	80A4	
29.1	170	50	48.18	5500	2.9				
9.1	533	100	99.22	8110	0.9	CHO83	80B5/B14	80B6	
11.9	405	75	75.45	7400	1.2				
15.2	324	60	59.04	6820	1.4	CHO82	80B5/B14	80B6	
18.7	264	50	48.18	6370	1.9				
22.4	220	40	40.13	6000	2.3				
0.75	57	117	50	48.86	2220	1.1	CHO52	80B5/B14	80A2
	70	96	40	40.09	2070	1.3			
	95	71	30	29.33	1870	1.8			
	116	58	25	24.07	1750	2.2			
	139	49	20	20.21	1650	2.7			
	188	36	15	14.92	1490	3.6			
	48	141	30	29.33	2350	0.9	CHO52	80B5/B14	80B4
	58	116	25	24.07	2200	1.1			
	69	97	20	20.21	2080	1.3			
	94	72	15	14.92	1880	1.8			
	112	60	12.5	12.47	1770	2.2			
	134	50	10	10.47	1670	2.6			
	181	37	7.5	7.73	1510	2.7			

2D and 3D drawings available on the web site www.chiaravalli.com
Quantity, availability and prices with Chiaravalli B2B



GEAR UNIT SELECTION TABLES

P_{1n} [Kw]	n_2 [r/min]	M_{2n} [Nm]	i nominal	i actual	F_{r2} [N]	f_s			
0.75	46	145	60	60.50	2720	1.2	CHO62	80B5/B14	80A2
	57	117	50	48.71	2530	1.7			
	71	94	40	39.29	2350	2.1			
	92	73	30	30.31	2160	2.7			
	115	59	25	24.44	2010	3.4			
	138	49	20	20.25	1890	4.1			
	28.7	234	50	48.71	3190	0.9	CHO62	80B5/B14	80B4
	36	189	40	39.29	2970	1.1			
	46	146	30	30.31	2720	1.4			
	57	118	25	24.44	2530	1.7			
	69	97	20	20.25	2380	2.1			
	95	71	15	14.67	2130	2.8			
	18.5	356	150	151.20	5040	1.0	CHO73	80B5/B14	80A2
	22.2	296	125	125.95	4750	1.2			
	28.2	234	100	99.22	4380	1.5			
	37	178	75	75.45	4000	2.0			
	47	143	60	59.44	3690	2.4	CHO72	80B5/B14	80A2
	58	116	50	48.18	3440	3.0			
	70	96	40	40.13	3240	3.6			
	23.6	286	60	59.44	4660	1.2	CHO72	80B5/B14	80B4
	29.1	232	50	48.18	3440	1.5			
	35	193	40	40.13	4080	1.8			
	46	145	30	30.24	3720	2.4			
	56	121	25	25.19	3500	2.9			
	18.7	360	50	48.18	5030	1.0	CHO72	90B5/B14	90S6
	22.4	300	40	40.13	4730	1.2			
	29.8	226	30	30.24	4310	1.5			
	36	188	25	25.19	4050	1.9			
	45	148	20	19.84	3740	2.4			
	11.6	567	250	240.89	7470	0.9	CHO83	80B5/B14	80A2
	14.0	472	200	200.66	7030	1.1			
	18.5	356	150	151.20	6390	1.4			
	22.2	296	125	125.95	6010	1.7			
	28.2	234	100	99.22	5550	2.1			
	37	178	75	75.45	5070	2.8			
	14.1	467	100	99.22	7000	1.1	CHO83	80B5/B14	80B4
	18.6	355	75	75.45	6390	1.4			
	23.7	284	60	59.04	5890	1.6	CHO82	80B5/B14	80B4
	29.1	232	50	48.18	5500	2.2			
	35	193	40	40.13	5170	2.6			
	15.2	442	60	59.04	6820	1.0	CHO82	90B5/B14	90S6
	18.7	360	50	48.18	6370	1.4			
	22.4	300	40	40.13	6000	1.7			
	29.8	226	30	30.24	5460	2.2			



GEAR UNIT SELECTION TABLES

P_{1n} [Kw]	n_2 [r/min]	M_{2n} [Nm]	i nominal	i actual	F_{r2} [N]	f_s			
1.1	70	141	40	40.09	2070	0.9	CHO52	80B5/B14	80B2
	95	103	30	29.33	1870	1.3			
	116	85	25	24.07	1750	1.5			
	139	71	20	20.21	1650	1.8			
	188	53	15	14.92	1490	2.5			
	225	44	12.5	12.47	1400	3.0			
	267	37	10	10.47	1320	3.5			
	362	27	7.5	7.73	1200	3.7			
	69	143	20	20.21	2080	0.9	CHO52	90B5/B14	90S4
	94	105	15	14.92	1880	1.2			
	112	88	12.5	12.47	1770	1.5			
	134	74	10	10.47	1670	1.8			
	181	55	7.5	7.73	1510	1.8			
	72	137	12.5	12.47	2050	1.0	CHO52	90B5/B14	90L6
	86	115	10	10.47	1930	1.1			
	57	172	50	48.71	2530	1.2	CHO62	80B5/B14	80B2
	71	139	40	39.29	2350	1.4			
	92	107	30	30.31	2160	1.9			
	115	86	25	24.44	2010	2.3			
	138	71	20	20.25	1890	2.8			
	191	52	15	14.67	1690	3.7			
	221	45	12.5	12.67	1610	3.7			
	267	37	10	10.50	1510	3.6			
	368	27	7.5	7.60	1710	1.9			
	46	214	30	30.31	2720	0.9	CHO62	90B5/B14	90S4
	57	172	25	24.44	2530	1.2			
	69	143	20	20.25	2380	1.4			
	95	103	15	14.67	2130	1.8			
	110	89	12.5	12.67	2030	1.8			
	133	74	10	10.50	1910	1.8			
	184	54	7.5	7.60	1360	3.7			
	44	222	20	20.25	2760	0.9	CHO62	90B5/B14	90L6
	61	161	15	14.67	2470	1.2			
	71	139	12.5	12.67	2360	1.2			
	86	115	10	10.50	2210	1.2			
	118	83	7.5	7.60	1990	1.2			
	29.1	340	50	48.18	4340	1.0	CHO72	90B5/B14	90S4
	35	283	40	40.13	4080	1.2			
	46	213	30	30.24	3720	1.6			
	56	178	25	25.19	3500	2.0			
	71	140	20	19.84	3230	2.5			
	93	106	15	15.09	2950	3.3			
	112	88	12.5	12.49	2770	4.0			
	29.8	332	30	30.24	4310	1.1	CHO72	90B5/B14	90L6
	36	276	25	25.19	4050	1.3			

2D and 3D drawings available on the web site www.chiaravalli.com
Quantity, availability and prices with Chiaravalli B2B



GEAR UNIT SELECTION TABLES

P_{1n} [Kw]	n_2 [r/min]	M_{2n} [Nm]	i nominal	i actual	F_{r2} [N]	f_s			
1.1	45	218	20	19.84	3740	1.6	CHO72	90B5/B14	90L6
	60	166	15	15.09	3410	2.1			
	72	137	12.5	12.49	3210	2.6			
	18.5	522	150	151.20	6390	1.0	CHO83	80B5/B14	80B2
	22.2	435	125	125.95	6010	1.2			
	28.2	342	100	99.22	5550	1.5			
	37	260	75	75.45	5070	1.9			
	47	208	60	59.04	4670	2.2	CHO82	80B5/B14	80B2
	58	170	50	48.18	4360	2.9			
	18.6	521	75	75.45	6390	1.0	CHO83	90B5/B14	90S4
	23.7	416	60	59.04	5890	1.1	CHO82	90B5/B14	90S4
	29.1	340	50	48.18	5500	1.5			
	35	283	40	40.13	5170	1.8			
	46	213	30	30.24	4710	2.3			
	18.7	529	50	48.18	6370	0.9	CHO82	90B5/B14	90L6
	22.4	440	40	40.13	6000	1.1			
	29.8	332	30	30.24	5460	1.5			
	36	276	25	25.19	5130	1.8			
45	218	20	19.84	4740	2.3				
1.5	116	116	25	24.07	1750	1.1	CHO52	90B5/B14	90S2
	139	97	20	20.21	1650	1.3			
	188	72	15	14.92	1490	1.8			
	225	60	12.5	12.47	1400	2.0			
	267	50	10	10.47	1320	2.2			
	362	37	7.5	7.73	1200	2.6			
	94	144	15	14.92	1880	0.9	CHO52	90B5/B14	90L4
	112	120	12.5	12.47	1770	1.6			
	134	101	10	10.47	1670	1.1			
	181	74	7.5	7.73	1510	1.3			
	57	234	50	48.71	2530	0.9	CHO62	90B5/B14	90S2
	71	189	40	39.29	2350	1.1			
	92	146	30	30.31	2160	1.4			
	115	118	25	24.44	2010	1.7			
	138	97	20	20.25	1890	2.0			
	191	71	15	14.67	1690	2.8			
	57	235	25	24.44	2530	0.9	CHO62	90B5/B14	90L4
	69	195	20	20.25	2380	1.0			
	95	141	15	14.67	2130	1.4			
	110	122	12.5	12.67	2030	1.4			
	133	101	10	10.50	1910	1.7			
	184	73	7.5	7.60	1710	2.1			
	47	286	60	59.44	3690	1.2	CHO72	90B5/B14	90S2
	58	232	50	48.18	3440	1.5			
70	193	40	40.13	3240	1.8				
93	145	30	30.24	2950	2.4				



GEAR UNIT SELECTION TABLES

P_{1n} [Kw]	n_2 [r/min]	M_{2n} [Nm]	i nominal	i actual	F_{r2} [N]	f_s			
1.5	35	386	40	40.13	4080	0.9	CHO72	90B5/B14	90L4
	46	291	30	30.24	3720	1.2			
	56	242	25	25.19	3500	1.4			
	71	191	20	19.84	3230	1.8			
	93	145	15	15.09	2950	2.4			
	112	120	12.5	12.49	2770	2.8			
	142	95	10	9.84	2550	3.3			
	47	284	60	59.04	4670	1.6	CHO82	90B5/B14	90S2
	58	232	50	48.18	4360	2.2			
	29.1	463	50	48.18	5500	1.1	CHO82	90B5/B14	90L4
	35	386	40	40.13	5170	1.3			
	46	291	30	30.24	4710	1.7			
	56	242	25	25.19	4430	2.1			
	71	191	20	19.84	4090	2.6			
2.2	139	143	20	20.21	1650	0.9	CHO52	90B5/B14	90L2
	188	105	15	14.92	1490	1.2			
	225	88	12.5	12.47	1400	1.4			
	267	74	10	10.47	1320	1.5			
	362	55	7.5	7.73	1200	1.8			
	92	214	30	30.31	2160	0.9	CHO62	90B5/B14	90L2
	115	172	25	24.44	2010	1.2			
	138	143	20	20.25	1890	1.4			
	191	103	15	14.67	1690	1.8			
	221	89	12.5	12.67	1610	1.8			
	267	74	10	10.50	1510	1.8			
	368	54	7.5	7.60	1360	1.9			
	58	340	50	48.18	3440	1.0	CHO72	90B5/B14	90L2
	70	283	40	40.13	3240	1.2			
	93	213	30	30.24	2950	1.6			
	111	178	25	25.19	2770	2.0			
	56	355	25	25.19	3500	1.0	CHO72	100B5/B14	100A4
	71	280	20	19.84	3230	1.3			
	93	213	15	15.09	2950	1.6			
	112	176	12.5	12.49	2770	1.9			
	142	139	10	9.84	2550	2.3			
	187	106	7.5	7.48	2330	2.9			
	47	416	60	59.04	4670	1.1	CHO82	90B5/B14	90L2
	58	340	50	48.18	4360	1.5			
	70	283	40	40.13	4110	1.8			
	93	213	30	30.24	3740	2.3			
	35	566	40	40.13	5170	0.9	CHO82	100B5/B14	100A4
	46	427	30	30.24	4710	1.2			
	56	355	25	25.19	4430	1.4			
	71	280	20	19.84	4090	1.8			
	93	213	15	15.09	3730	2.3			

2D and 3D drawings available on the web site www.chiaravalli.com
Quantity, availability and prices with Chiaravalli B2B

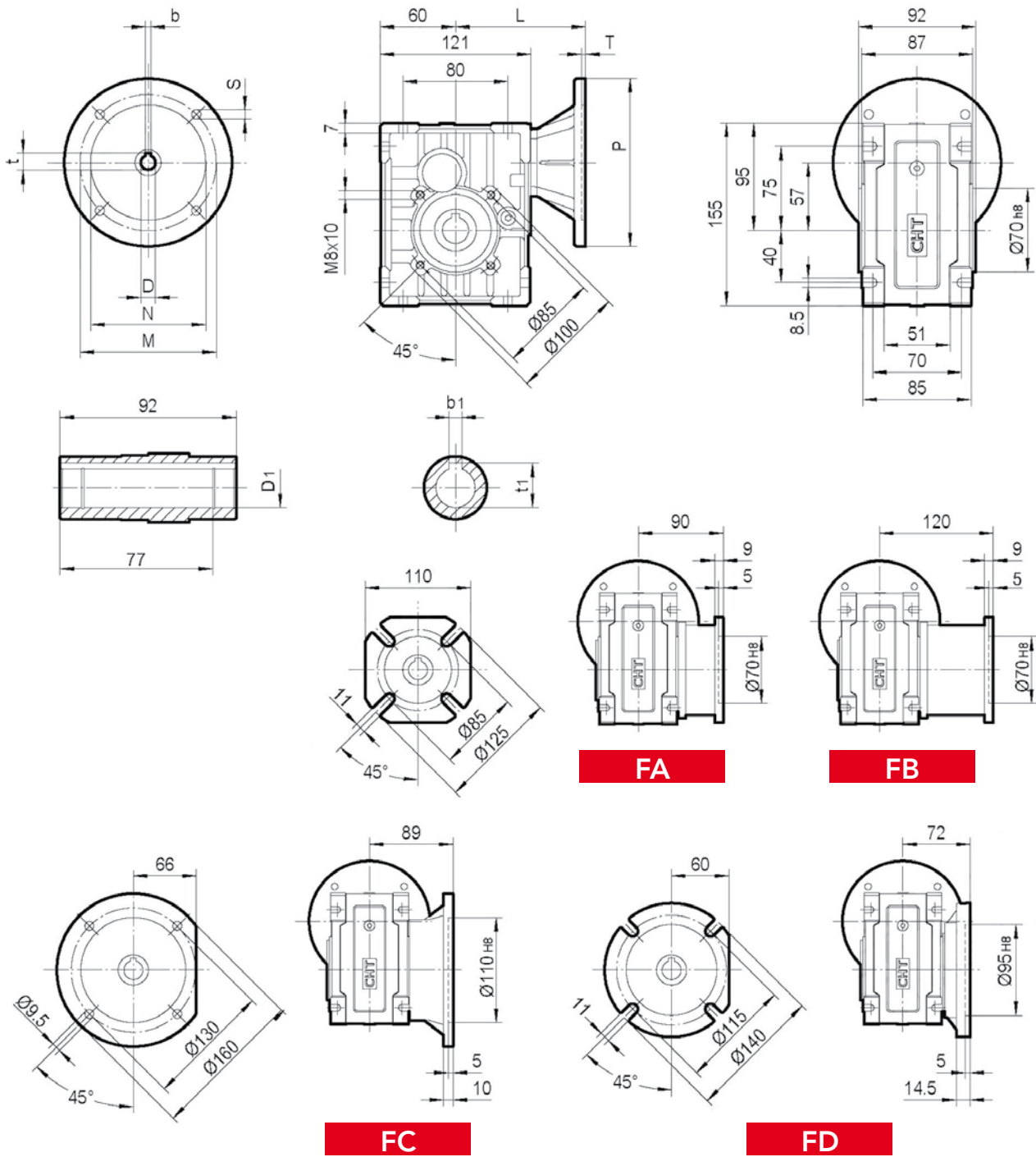


GEAR UNIT SELECTION TABLES

P_{1n} [Kw]	n_2 [r/min]	M_{2n} [Nm]	i nominal	i actual	F_{r2} [N]	f_s			
2.2	112	176	12.5	12.49	3510	2.6	CHO82	100B5/B14	100A4
3	70	386	40	40.13	3240	0.9	CHO72	100B5/B14	100L2
	93	291	30	30.24	2950	1.2			
	111	242	25	25.19	2770	1.4			
	141	191	20	19.84	2560	1.8			
	186	145	15	15.09	2340	2.4			
	224	120	12.5	12.49	2190	2.9			
	285	95	10	9.84	2030	3.7			
	374	72	7.5	7.48	1850	3.9			
	93	290	15	15.09	2950	1.2	CHO72	100B5/B14	100LB4
	112	240	12.5	12.49	2770	1.5			
	142	189	10	9.84	2550	1.8			
	187	144	7.5	7.48	2330	1.9			
	47	568	60	59.04	4670	0.8	CHO82	100B5/B14	100L2
	58	463	50	48.18	4360	1.1			
	70	386	40	40.13	4110	1.3			
	93	291	30	30.24	3740	1.7			
	111	242	25	25.19	3520	2.1			
	141	191	20	19.84	3250	2.6			
	56	485	25	25.19	4430	1.0	CHO82	100B5/B14	100LB4
	71	382	20	19.84	4090	1.3			
	93	290	15	15.09	3730	1.7			
	112	240	12.5	12.49	3510	1.9			
	142	189	10	9.84	3240	2.4			
4	111	323	25	25.19	2770	1.1	CHO72	112B5/B14	100LB2
	141	254	20	19.84	2560	1.4			
	186	194	15	15.09	2340	1.8			
	224	160	12.5	12.49	2190	2.2			
	285	126	10	9.84	2030	2.5			
	374	96	7.5	7.48	1850	2.9			
	112	320	12.5	12.49	2770	1.0	CHO72	112B5/B14	112M4
	142	252	10	9.84	2550	1.3			
	187	192	7.5	7.48	2330	1.5			
	70	515	40	40.13	4110	1.0	CHO82	112B5/B14	100LB2
	93	388	30	30.24	3740	1.3			
	111	323	25	25.19	3520	2.0			
	141	254	20	19.84	3250	2.0			
	186	194	15	15.09	2960	2.6			
	71	509	20	19.84	4090	1.0	CHO82	112B5/B14	112M4
	93	387	15	15.09	3730	1.3			
	112	320	12.5	12.49	3510	1.4			
	142	252	10	9.84	3240	1.8			
	187	192	7.5	7.48	2950	2.3			



CHO 52



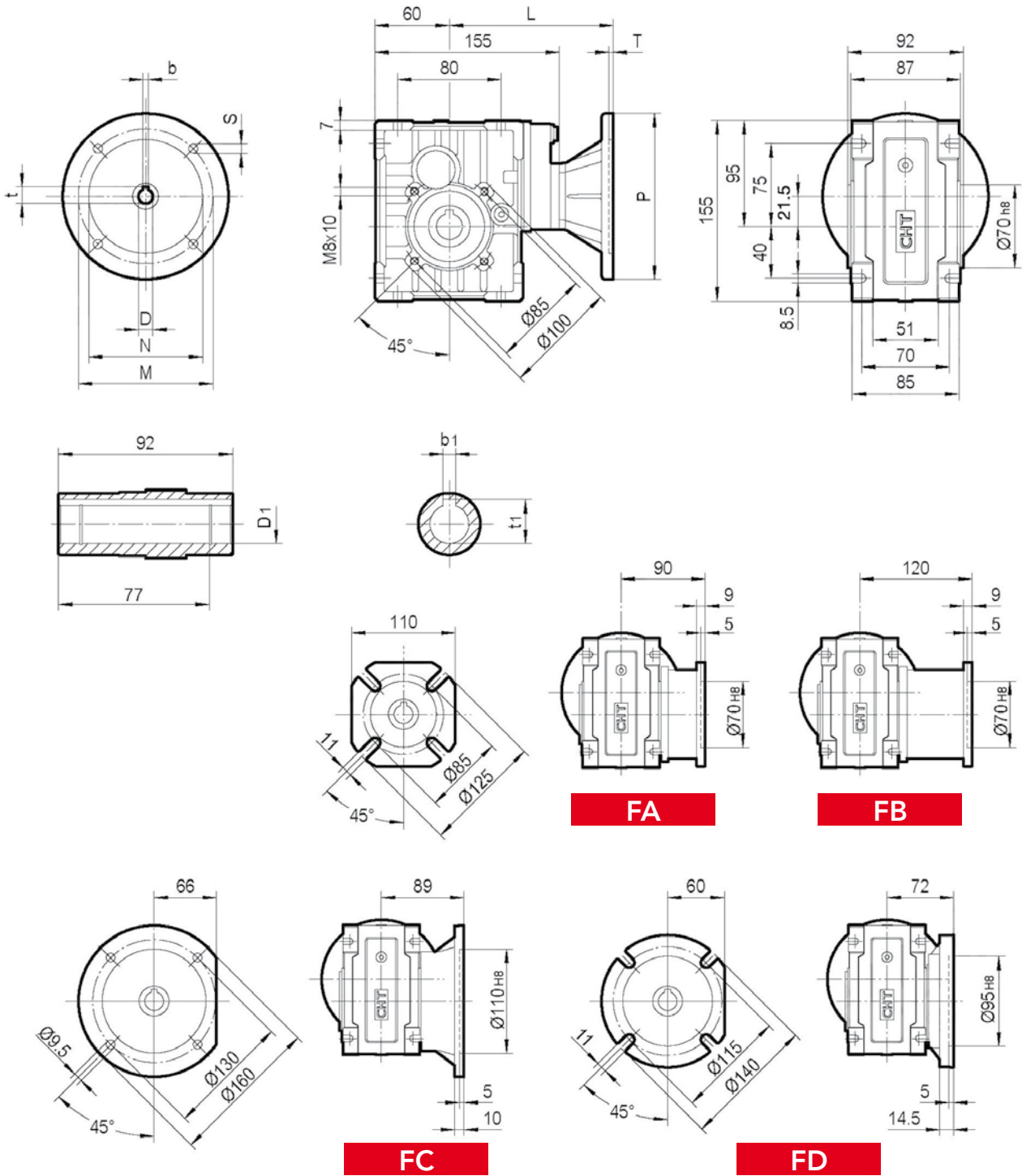
IEC	DE8	b	t	P	M	N	S	T	L	D1 H8	b1	t1
63B5	11	4	12.8	140	115	95	9	4	106	20*	6*	22.8*
71B5	14	5	16.3	160	130	110	9	4	113	25	8	28.3
71B14	14	5	16.3	105	85	70	7	4	113			
80B5	19	6	21.8	200	165	130	11	4	133			
80B14	19	6	21.8	120	100	80	7	4	133	* only on request		
90B14	24	8	27.3	140	115	95	9	4	133			

Weight 3.5 Kg excluding motor



DIMENSION SHEET

CHO 53

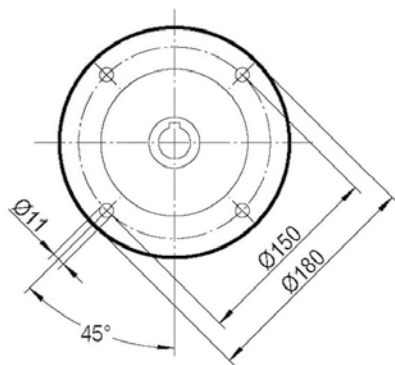
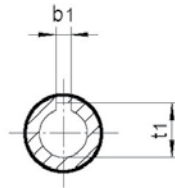
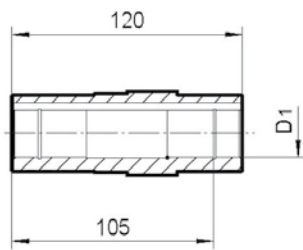
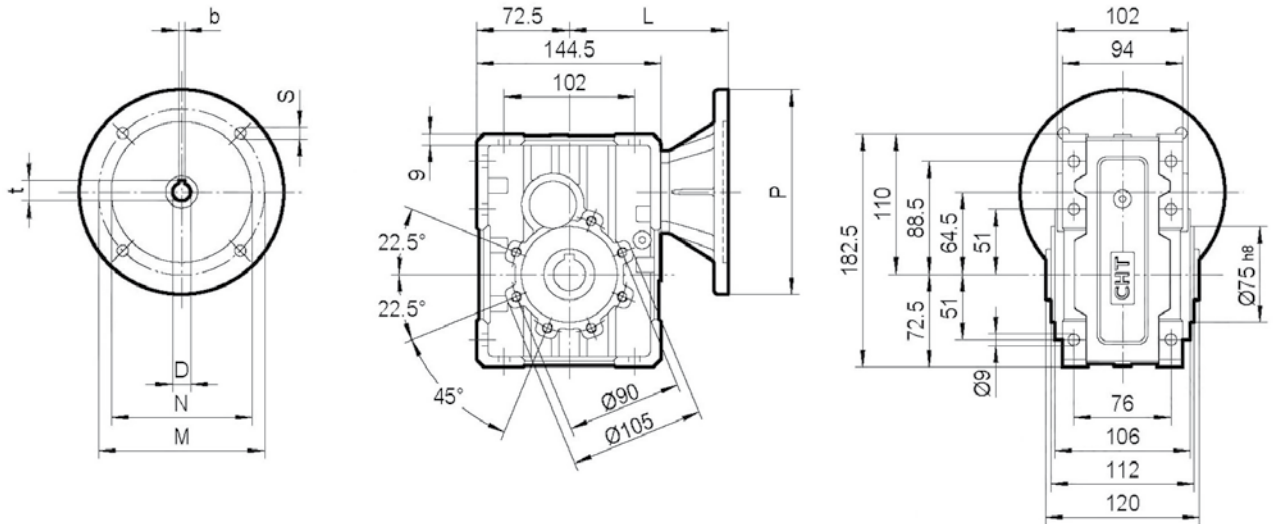


IEC	DE8	b	t	P	M	N	S	T	L	D1 H8	b1	t1
63B5	11	4	12.8	140	115	95	9	4	140	20*	6*	22.8*
71B5	14	5	16.3	160	130	110	9	4	147	25	8	28.3
71B14	14	5	16.3	105	85	70	7	4	147			
80B5	19	6	21.8	200	165	130	11	4	167			
80B14	19	6	21.8	120	100	80	7	4	167	* only on request		
90B14	24	8	27.3	140	115	95	9	4	167			

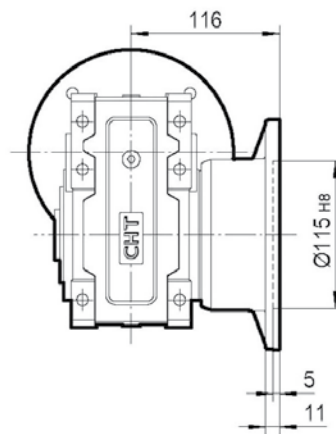
Weight 3.5 Kg excluding motor



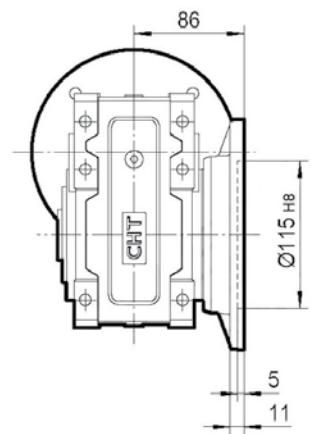
CHO 62



FA



FB

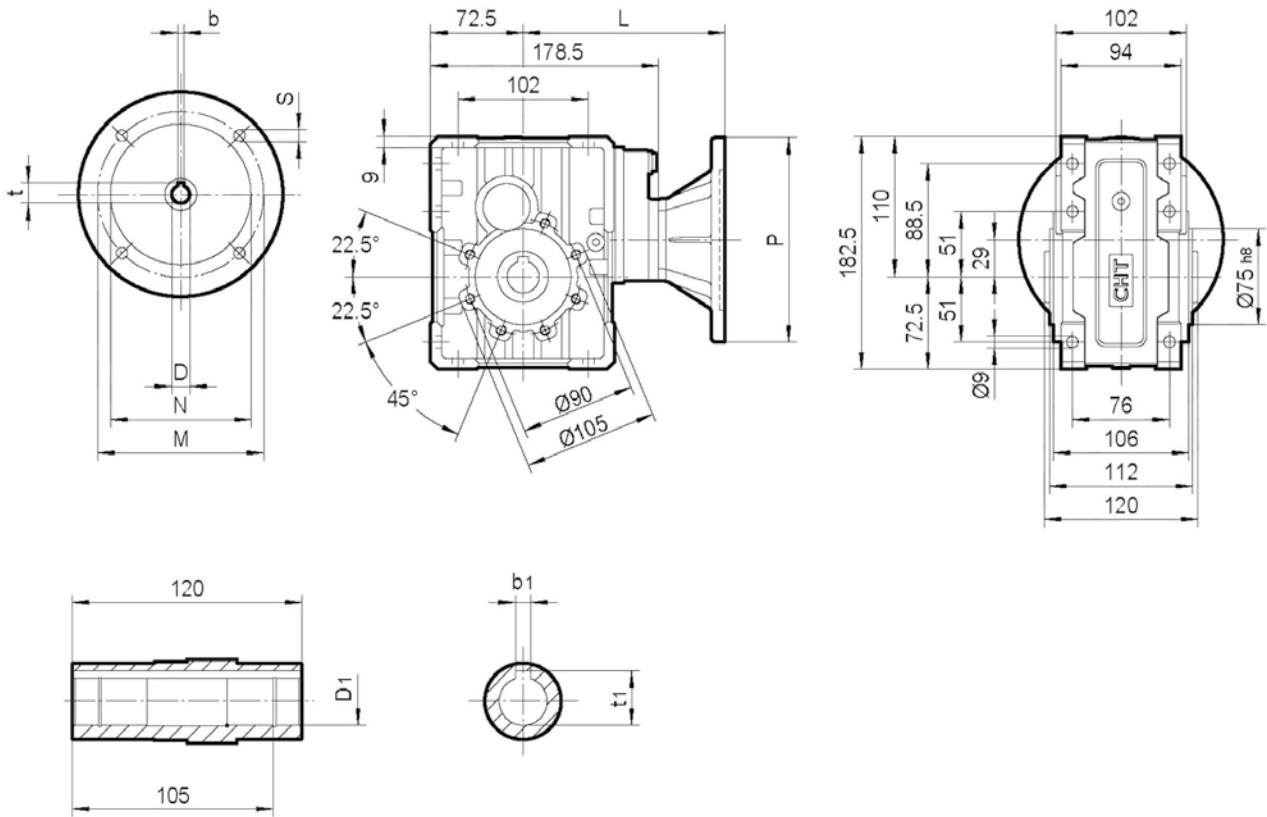


IEC	DE8	b	t	P	M	N	S	T	L	D1 H8	b1	t1
63B5	11	4	12.8	140	115	95	9	4	117	25	8	28.3
71B5	14	5	16.3	160	130	110	9	4	124			
71B14	14	5	16.3	105	85	70	7	4	124			
80B5	19	6	21.8	200	165	130	11	4	144			
80B14	19	6	21.8	120	100	80	7	4	144			
90B5	24	8	27.3	200	165	130	11	4	144			
90B14	24	8	27.3	140	115	95	9	4	144			

Weight 6.5 Kg excluding motor

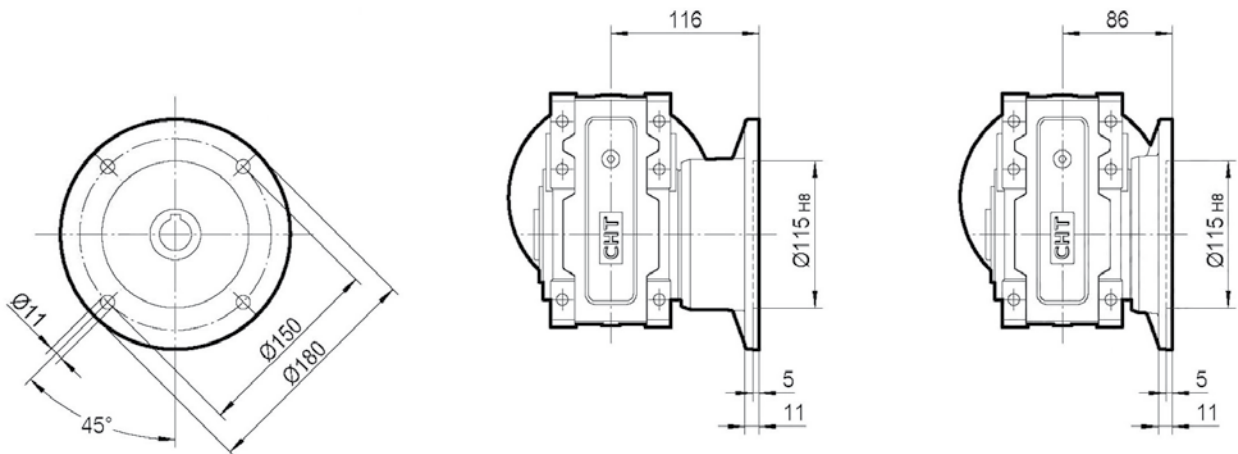


CHO 63



FA

FB

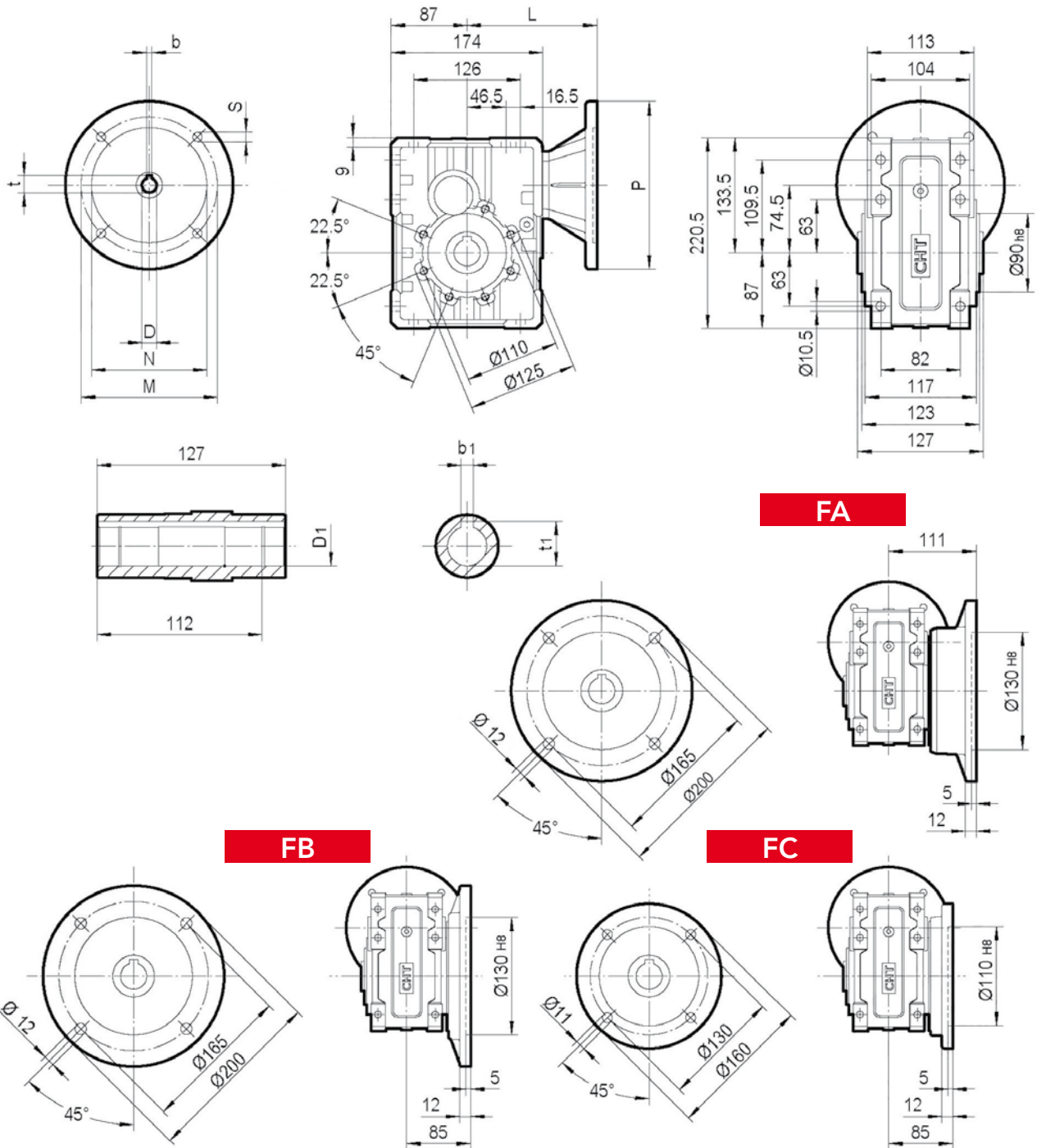


IEC	DE8	b	t	P	M	N	S	T	L	D1 HB	b1	t1
63B5	11	4	12.8	140	115	95	9	4	151	25	8	28.3
71B5	14	5	16.3	160	130	110	9	4	158			
71B14	14	5	16.3	105	85	70	7	4	158			
80B5	19	6	21.8	200	165	130	11	4	178			
80B14	19	6	21.8	120	100	80	7	4	178			
90B5	24	8	27.3	200	165	130	11	4	178			
90B14	24	8	27.3	140	115	95	9	4	178			

Weight 6.5 Kg excluding motor



CHO 72



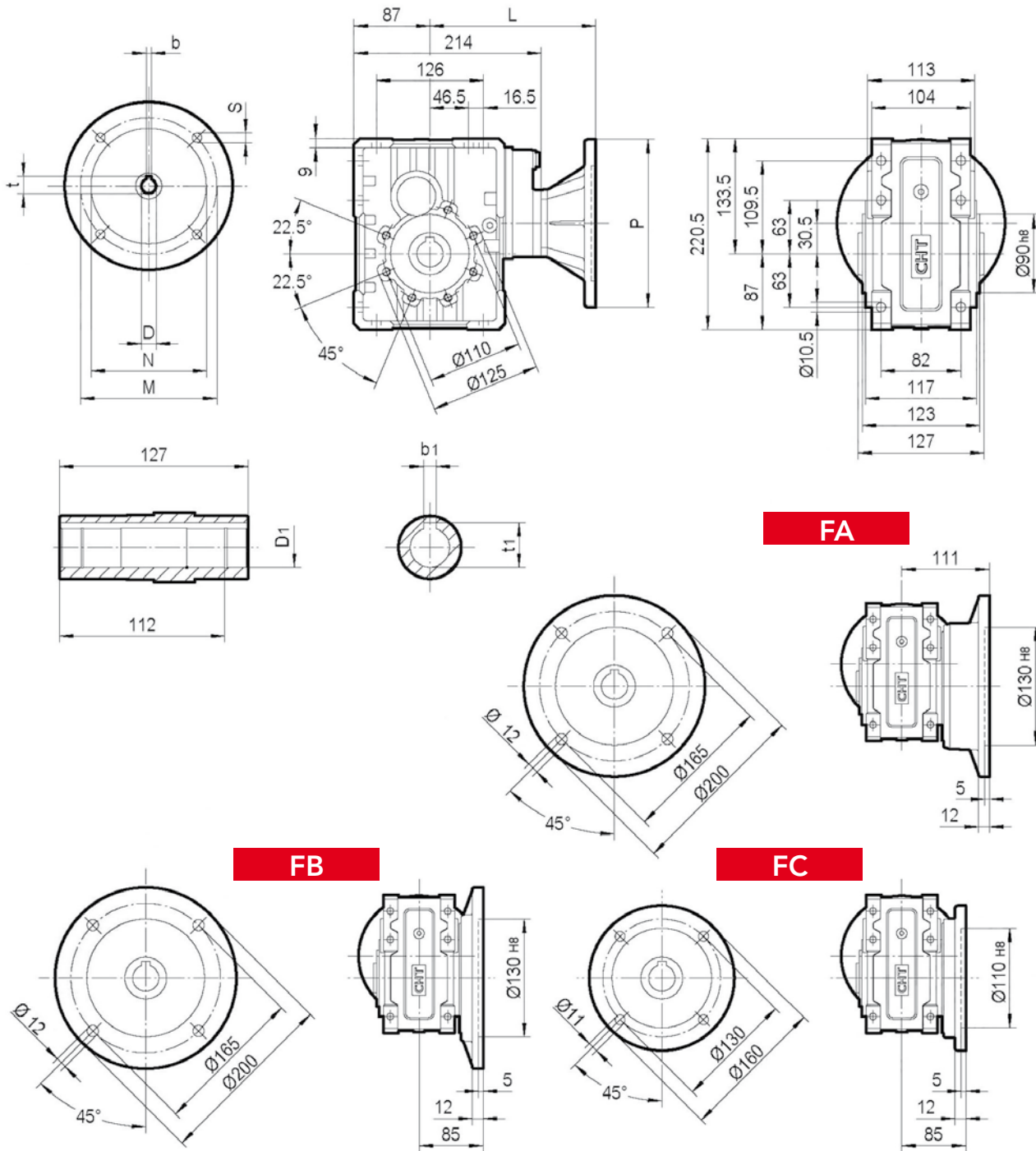
112

IEC	DE8	b	t	P	M	N	S	T	L	D1 H8	b1	t1
63B5	11	4	12.8	140	115	95	9	4	139	28*	8*	31.3*
71B5	14	5	16.3	160	130	110	9	4	146	30	8	33.3
80B5	19	6	21.8	200	165	130	11	4	166			
80B14	19	6	21.8	120	100	80	7	4	166			
90B5	24	8	27.3	200	165	130	11	4	166			
90B14	24	8	27.3	140	115	95	9	4	166			
100/112B5	28	8	31.3	250	215	180	13.5	4.5	176	* only on request		
100/112B14	28	8	31.3	160	130	110	9	4.5	176			

Weight 9.5 Kg excluding motor



CHO 73

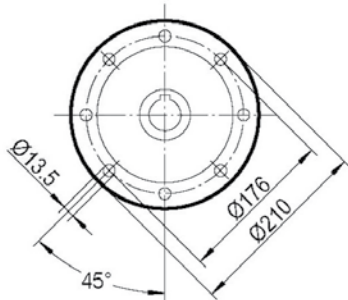
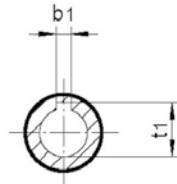
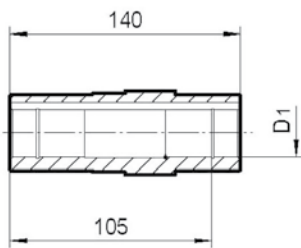
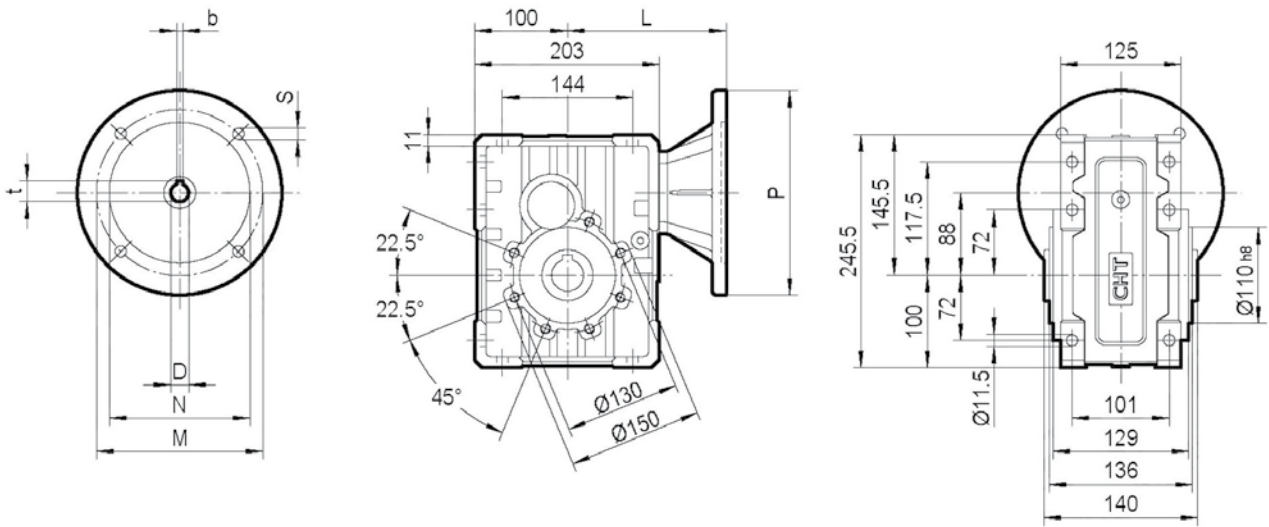


IEC	DE8	b	t	P	M	N	S	T	L	D1 H8	b1	t1
63B5	11	4	12.8	140	115	95	9	4	179	28*	8*	31.3*
71B5	14	5	16.3	160	130	110	9	4	186	30	8	33.3
80B5	19	6	21.8	200	165	130	11	4	206			
80B14	19	6	21.8	120	100	80	7	4	206			
90B5	24	8	27.3	200	165	130	11	4	206			
90B14	24	8	27.3	140	115	95	9	4	206			
100/112B5	28	8	31.3	250	215	180	13.5	4.5	216	* only on request		
100/112B14	28	8	31.3	160	130	110	9	4.5	216			

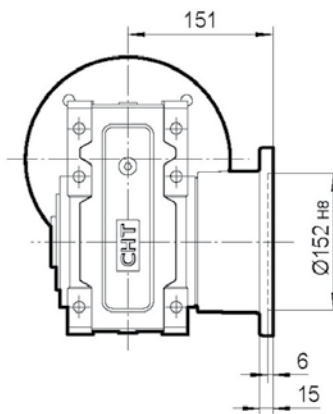
Weight 9.5 Kg excluding motor



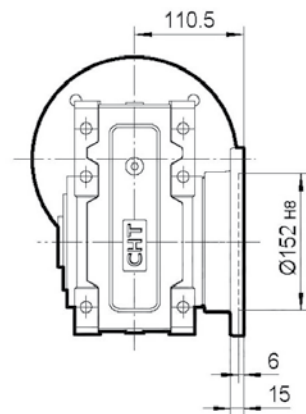
CHO 82



FA



FB

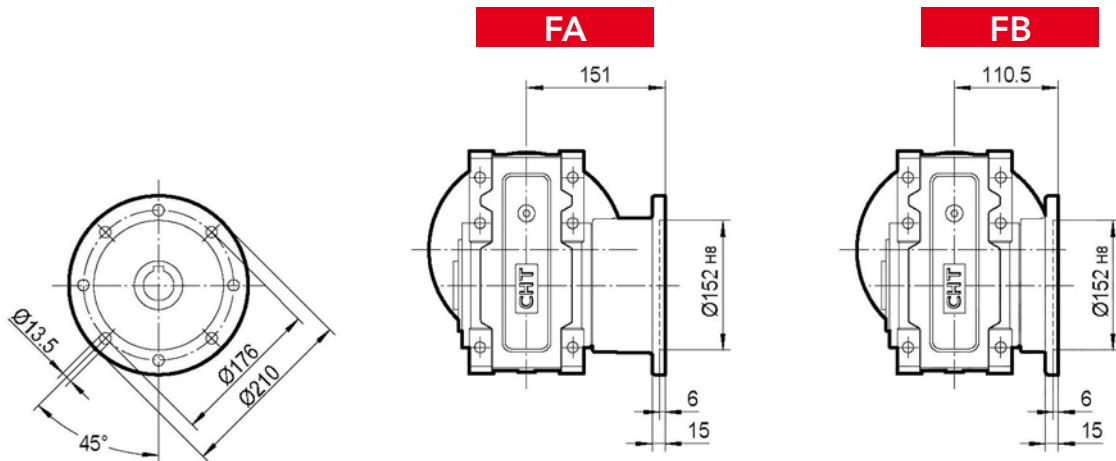
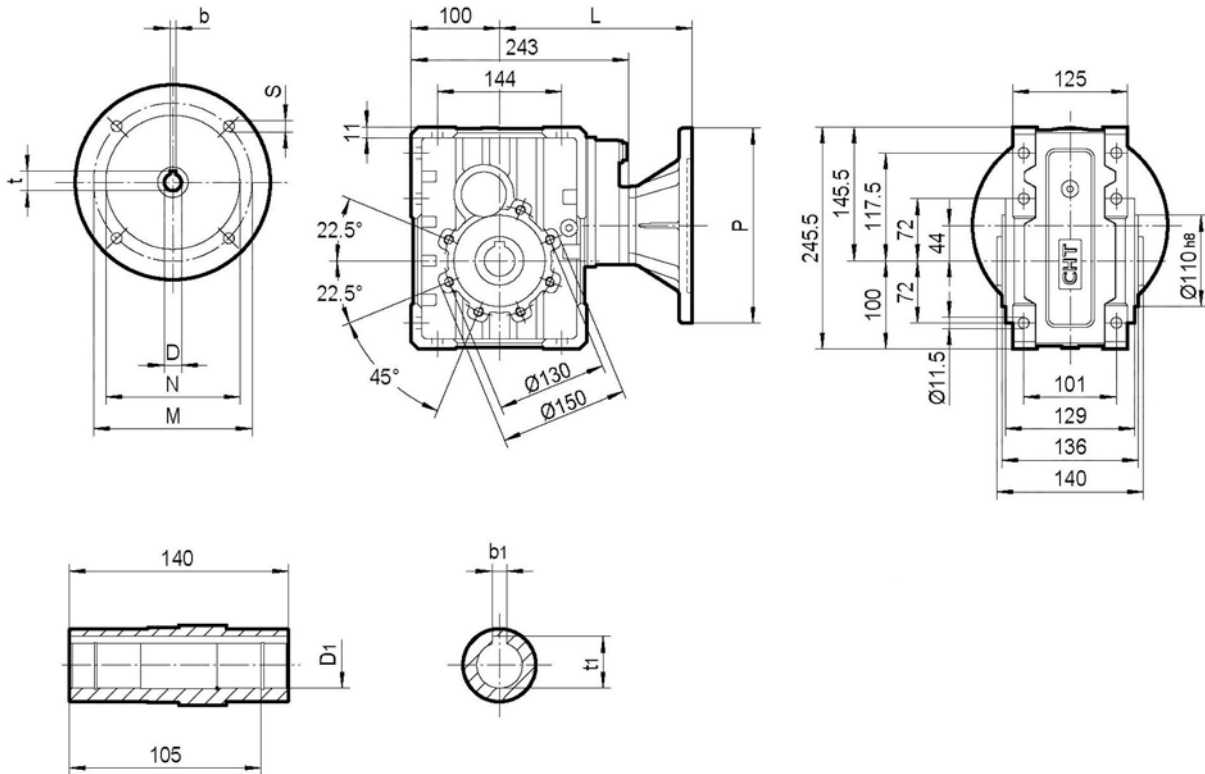


IEC	DE8	b	t	P	M	N	S	T	L	D1 H8	b1	t1
63B5	11	4	12.8	140	115	95	9	4	155	35	10	38.3
71B5	14	5	16.3	160	130	110	9	4	162			
80B5	19	6	21.8	200	165	130	11	4	182			
80B14	19	6	21.8	120	100	80	7	4	182			
90B5	24	8	27.3	200	165	130	11	4	182			
90B14	24	8	27.3	140	115	95	9	4	182			
100/112B5	28	8	31.3	250	215	180	13.5	4.5	192			
100/112B14	28	8	31.3	160	130	110	9	4.5	192			

Weight 13.5 Kg excluding motor



CHO 83



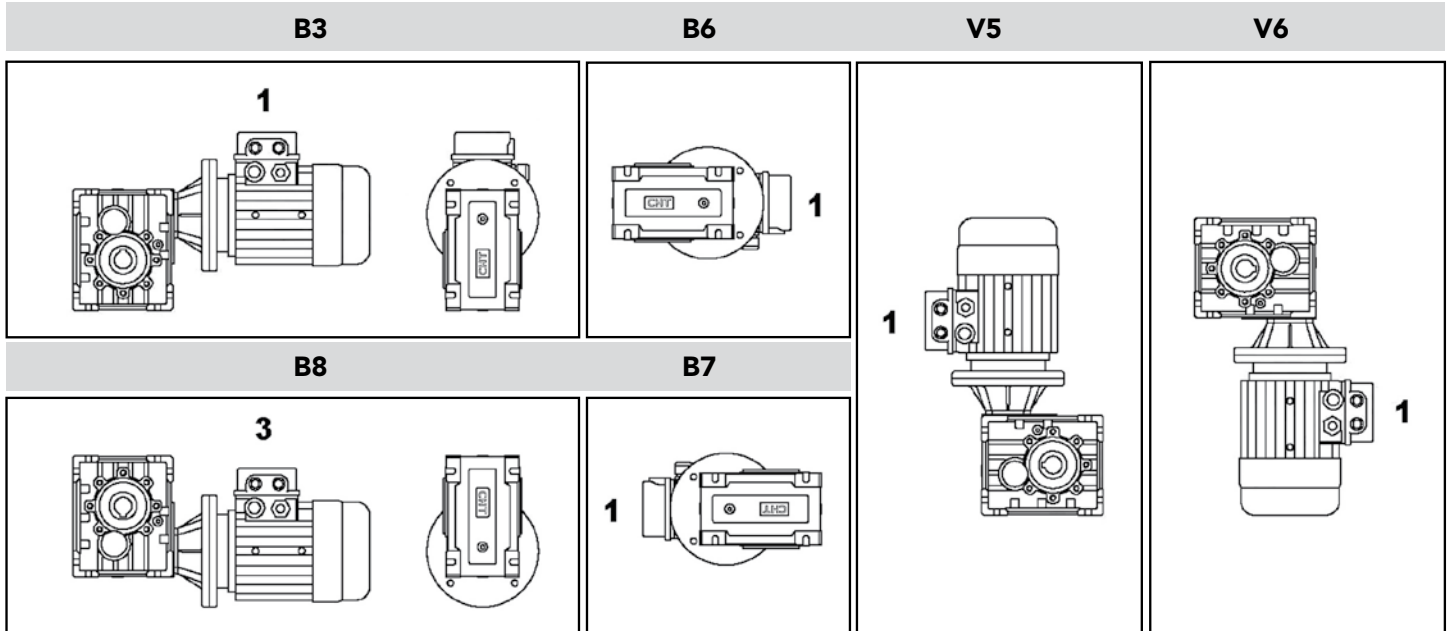
IEC	DE8	b	t	P	M	N	S	T	L	D1 H8	b1	t1
63B5	11	4	12.8	140	115	95	9	4	195	35	10	38.3
71B5	14	5	16.3	160	130	110	9	4	202			
80B5	19	6	21.8	200	165	130	11	4	222			
80B14	19	6	21.8	120	100	80	7	4	222			
90B5	24	8	27.3	200	165	130	11	4	222			
90B14	24	8	27.3	140	115	95	9	4	222			
100/112B5	28	8	31.3	250	215	180	13.5	4.5	232			
100/112B14	28	8	31.3	160	130	110	9	4.5	232			

Weight 13.5 Kg excluding motor

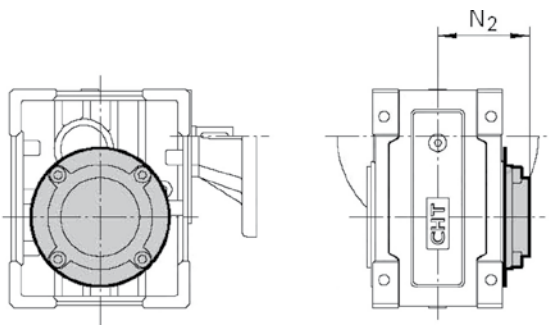


ACCESSORIES

MOUNTING POSITIONS



COVER



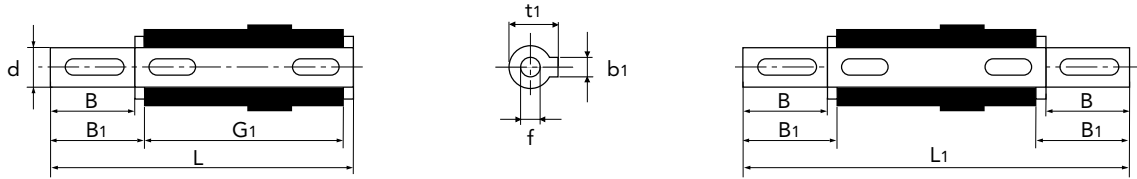
TYPE	N ₂
CHO 52/53	59
CHO 62/63	70
CHO 72/73	85.5
CHO 82/83	93.5



DIMENSION SHEET

ACCESSORIES

OUTPUT SHAFT



SS

DS

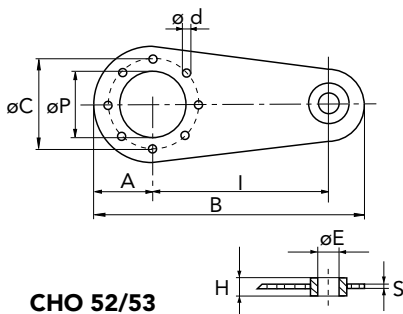
TYPE	d_{h6}	B	B ₁	G ₁	L	L ₁	f	b ₁	t ₁
CHO 52/53	25	50	53.5	92	153	199	M10	8	28
CHO 62/63	25	60	65	120	192	246.4	M8	8	28
CHO 72/73-28	28	60	65	127	199	255	M8	8	31
CHO 72/73-30	30	60	65	127	199	255	M10	8	33
CHO 82/83	35	60	65	140	214	268	M12	10	38



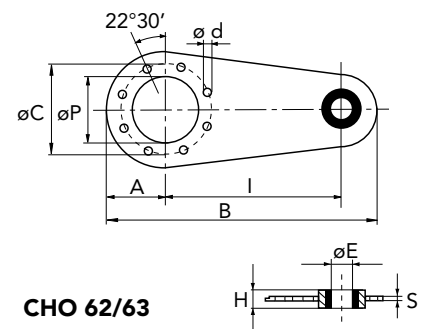
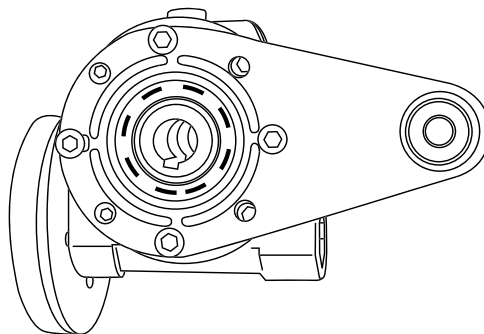
TORQUE ARM

117

TYPE	I	A	B	Ø P	Ø C	Ø d	H	øE	S
CHO 52/53	100	50	168	70	85	9	14	10	4
CHO 62/63	150	52.5	232.5	75	90	9	20	10	6
CHO 72/73	200	62.5	300	90	110	9	25	20	6
CHO 82/83	200	75	312,5	110	130	11	25	20	6



CHO 52/53



CHO 62/63
CHO 72/73
CHO 82/83

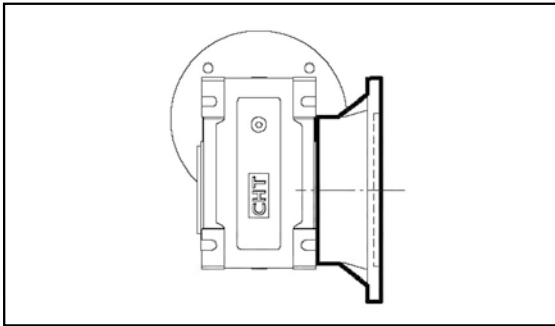
The anchoring point of the torque arm is equipped with a vibration resistant bushing.



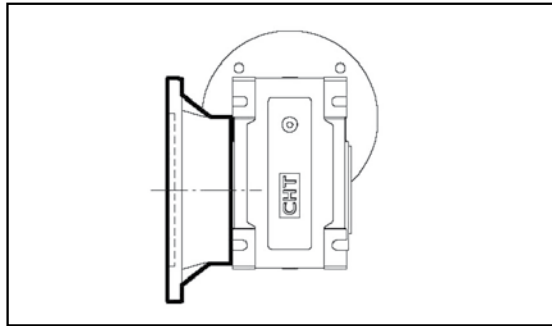
FLANGE, SHAFTS AND TERMINAL BOXES MOUNTING POSITION

POSITION DIAGRAM FOR OUTPUT

FA1, FB1, FC1, FD1, FE1



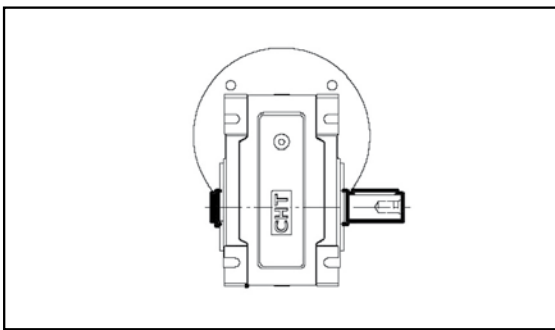
FA2, FB2, FC2, FD2, FE2



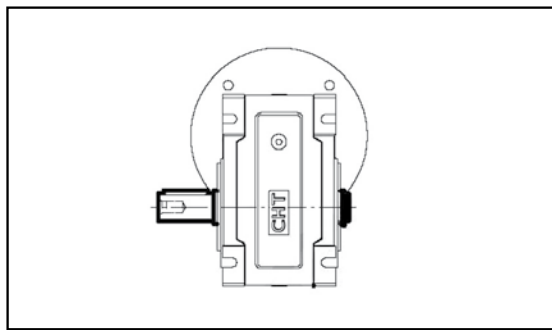
Unless specified otherwise, the reduction unit is supplied with the flange in pos. F.1 referred to position B3.

POSITION DIAGRAM FOR SINGLE OUTPUT

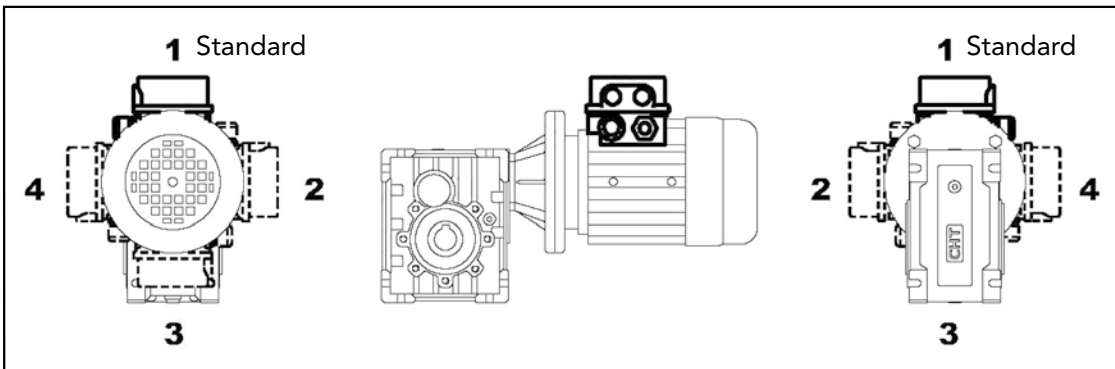
SS1



SS2



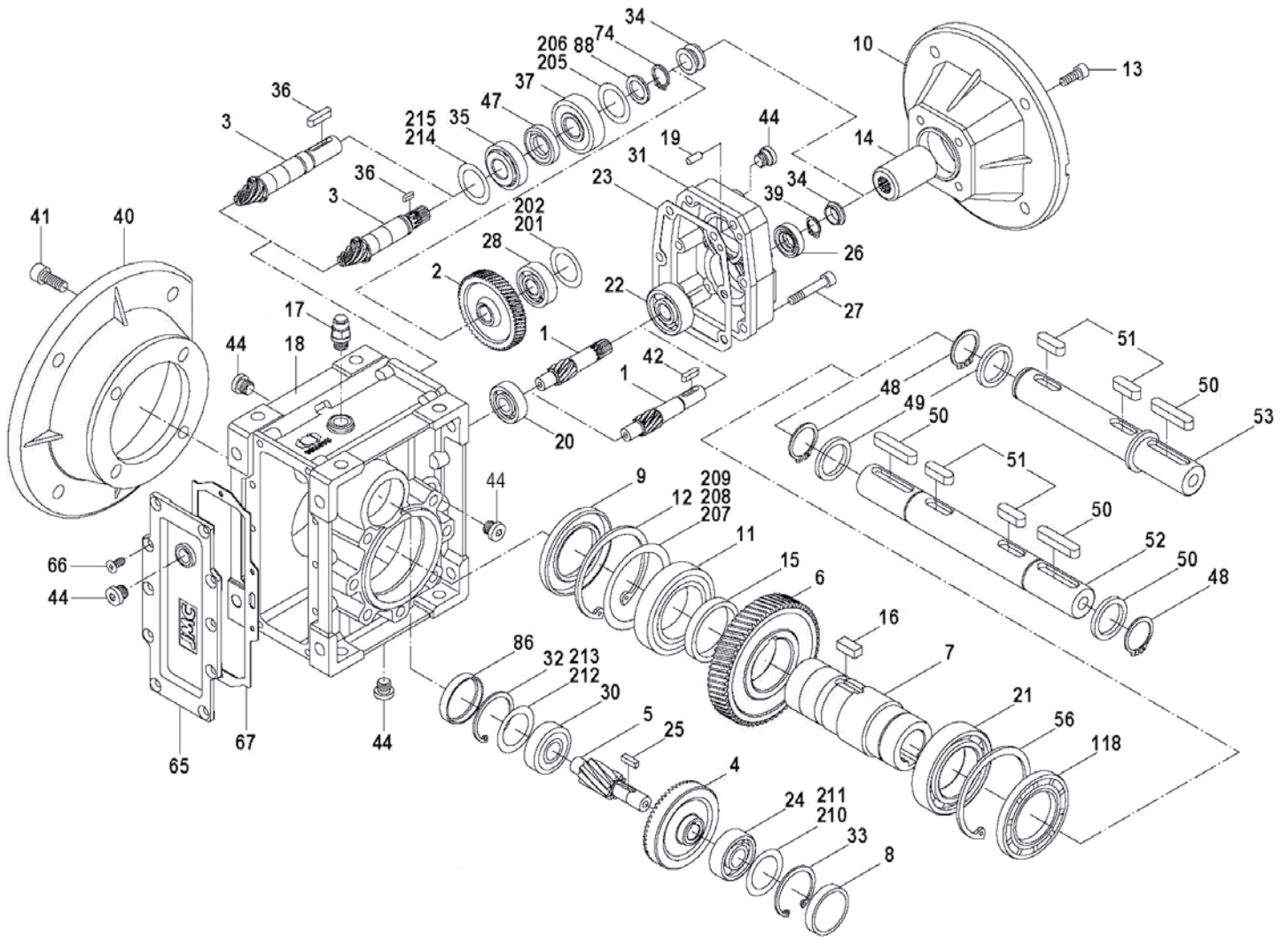
POSITION OF TERMINAL BOX



In the case of specific requirements, when ordering, specify the position of the terminal box as shown in the diagram.



EXPLODED DRAWING AND SPARE PARTS LIST



1	PINION	39	SHAFT-CIRCLIP
2	GEAR	40	OUTPUT FLANGE
3	PINION SHAFT	41	INNER HEX SCREW
4	GEAR	42	KEY
5	PINION SHAFT	44	OIL PLUG
6	GEAR	47	OIL SEAL
7	HOLLOW SHAFT	48	SHAFT-CIRCLIP
8	CLOSING CAP	49	GASKET
9	OIL SEAL	50	KEY
10	INPUT FLANGE	51	KEY
11	BEARING	52	DOUBLE OUTPUT SHAFT
12	HOLE-CIRCLIP	53	DOUBLE OUTPUT SHAFT
13	INNER HEX SCREW	56	HOLE-CIRCLIP
14	INPUT SHAFT	65	GEARCASE COVER
15	SPACER	66	HEXAGON SCREW
16	KEY	67	RUBBER GASKET
17	BREATHER VALVE	74	SHAFT-CIRCLIP
18	GEARCASE	86	CLOSING CAP
19	STIFTE	88	WASHER
20	BEARING	118	OIL SEAL
21	BEARING	201	SHIM RING
22	BEARING	202	SHIM RING
23	HOUSING GASKET	205	SHIM RING
24	BEARING	206	SHIM RING
25	KEY	207	SHIM RING
26	OIL SEAL	208	SHIM RING
27	INNER HEX SCREW	209	SHIM RING
28	BEARING	210	SHIM RING
30	BEARING	211	SHIM RING
31	3 STAGE GEARCASE	212	SHIM RING
32	HOLE-CIRCLIP	213	SHIM RING
33	HOLE-CIRCLIP	214	SHIM RING
34	RUBBER RING	215	SHIM RING
35	BEARING	216	SHIM RING
36	KEY	217	SHIM RING
37	BEARING		



INSTALLATION

- The data shown on the identification name plate must correspond to the gearbox ordered.
- The oil level must correspond to the quantity foreseen for the assembly position requested (see catalogue).
- All of the other gearboxes are supplied complete with permanent synthetic oil in a quantity that is sufficient for any assembly position.
- The gearbox must be fixed on a flat surface that is sufficiently rigid in order to avoid any vibration.
- The gearbox and the axis of the machine to be driven must be perfectly aligned. In the event that knocks, overloading or blockage of the machine are foreseen, the client must install a limiting device, joints, overload cut-out etc.
- Coupling with pinions, joints, pulleys and other parts must be done after the parts have been cleaned and knocks should be avoided while assembling as they could damage the bearings and other internal parts.
- In the event that the motor is supplied by the client, he must check that the flange and shaft tolerances correspond to a "normal" class; our motors satisfy this requirement.
- Check that the fixing screws for the gear and the related accessories are correctly tightened.
- Take suitable measures to protect the groups from any aggressive atmospheric agents.
- Where foreseen, protect rotating parts from any possible contact with the operators.
- If the gears are painted, protect the oil seals and the machined surfaces gearboxes.
- All of the gears are painted RAL 9022 grey.

OPERATION AND RUNNING-IN

- To obtain the best performance the gearboxes must first be run-in by gradually increasing the power in the first few hours of operation, in this phase an increase in temperature is considered normal.
- In the event of defective operation, noise, oil leakage, etc. stop the gear immediately and, when possible, remove the cause. Alternatively, send the piece to our factory to be controlled.

MAINTENANCE see page 93

- The helical gearboxes are lubricated with mineral, oil do not mix with synthetic oil. Check oil level regularly.

WAREHOUSE STORAGE

- If the warehouse storage will be for a long time, more than 3 months, the shafts and machined surfaces should be protected using antioxidants and the oil seals should be greased.

HANDLING

- Care must be taken not to damage the oil seals and the machined surfaces when handling the groups.

DISPOSAL OF PACKAGING

- The packaging in which our gears are delivered should be sent to specialised companies for recycling if possible.